



50L WORKSHOP PARTS WASHER WITH TURBO FEATURE

MODEL NO: **SM20.V3**

Thank you for purchasing a Sealey product. Manufactured to a high standard, this product will, if used according to these instructions, and properly maintained, give you years of trouble free performance.

IMPORTANT: PLEASE READ THESE INSTRUCTIONS CAREFULLY. NOTE THE SAFE OPERATIONAL REQUIREMENTS, WARNINGS & CAUTIONS. USE THE PRODUCT CORRECTLY AND WITH CARE FOR THE PURPOSE FOR WHICH IT IS INTENDED. FAILURE TO DO SO MAY CAUSE DAMAGE AND/OR PERSONAL INJURY AND WILL INVALIDATE THE WARRANTY. KEEP THESE INSTRUCTIONS SAFE FOR FUTURE USE.



Refer to instructions



Wear eye protection



Wear protective gloves



Wear safety footwear



Wear protective clothing

1. SAFETY

1.1. ELECTRICAL SAFETY

- WARNING!** It is the user's responsibility to check the following:
 - ✓ Check all electrical equipment and appliances to ensure that they are safe before using. Inspect power supply leads, plugs and all electrical connections for wear and damage. Sealey recommend that an RCD (Residual Current Device) is used with all electrical products.
 - Electrical safety information.** It is important that the following information is read and understood:
 - ✓ Ensure that the insulation on all cables and on the appliance is safe before connecting it to the power supply.
 - ✓ Regularly inspect power supply cables and plugs for wear or damage and check all connections to ensure that they are secure.
 - Important:** Ensure that the voltage rating on the appliance suits the power supply to be used and that the plug is fitted with the correct fuse.
 - ✗ **DO NOT** pull or carry the appliance by the power cable.
 - ✗ **DO NOT** pull the plug from the socket by the cable.
 - ✗ **DO NOT** use worn or damaged cables, plugs or connectors. Ensure that any faulty item is repaired or is replaced immediately by a qualified electrician.
- If the cable or plug is damaged during use, switch off the electricity supply and remove from use.

Ensure that repairs are carried out by a qualified electrician.

1.2. GENERAL SAFETY

- WARNING!** Ensure Health & Safety, local authority, and general workshop practice regulations are adhered to when using this tank.
- ✓ Familiarise yourself with the applications, limitations and potential hazards of the tank.
- WARNING!** Disconnect the tank from the mains power before changing accessories, servicing or performing any maintenance.
- ✓ Replace or repair damaged parts. Use genuine parts only. Unauthorised parts may be dangerous and will invalidate the warranty.
- WARNING!** DO NOT modify the lid or jam it open. Keep the lid and holding screws in place, tight and in good working order.
- ✓ Locate tank in a suitable work area and keep area clean and tidy and free from unrelated materials. Ensure there is adequate lighting.
- ✓ Ensure there are no flammable or combustible materials near the work area.
- ✓ In case of fire in tank, **DO NOT** attempt to move unit or remove parts from tank. The lid is fusible and will automatically close, extinguishing fire.
- ✓ When cleaning parts ensure that nothing in the tank, including any parts basket, is in a position that would prevent the lid from closing fully if and when the fusible link activates.
- WARNING! DO NOT SMOKE** and keep sources of ignition, such as heaters, lamps, etc., away from the unit, together with flammable or combustible materials, as there is an explosion risk.
- ✓ Use only water soluble solvent.
- WARNING!** When operating the tank always wear approved eye or face protection and appropriate protective clothing, including gloves, to prevent the cleaning agent contacting the skin.
- ✓ Maintain correct balance and footing. Ensure the floor is not slippery and wear non-slip shoes.
- ✓ Remove ill fitting clothing. Remove ties, watches, rings and other loose jewellery and contain and/or tie back long hair.
- ✓ Keep children and unauthorised persons away from the work area.
- ✓ Avoid unintentional starting.
- ✗ **DO NOT** overfill tank or allow fluid level to fall below pump inlet.
- ✗ **DO NOT** use the tank for a task it is not designed to perform.
- ✗ **DO NOT** operate the tank if any parts are damaged or missing as this may cause failure and/or personal injury.
- ✗ **DO NOT** allow untrained persons to operate the tank.
- ✗ **DO NOT** operate the tank when you are tired or under the influence of alcohol, drugs or intoxicating medication.
- ✗ **DO NOT** leave the tank operating unattended.
- ✓ When not in use switch off the tank, close the lid and remove the plug from the power supply.
- ✓ Dispose of waste liquids in accordance with local authority regulations.
- WARNING!** Protect the environment - **DO NOT** allow uncontrolled discharge of pollutants.
- ✓ Keep the tank clean for best and safest performance.

2. INTRODUCTION

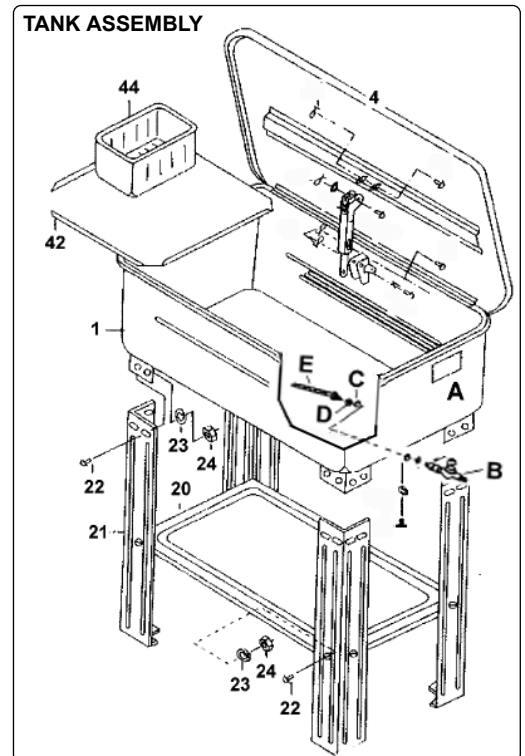
Heavy-duty one-piece steel tank. Triple baked enamel finish and fitted with fully sealed, magnetic drive pump unit. Fluid recirculated through replaceable filter element and directed onto workpiece through flexible metal delivery nozzle. Turbo agitation, bubbles air through fluid to reduce soaking time and requires workshop air supply in addition to 230V electrical supply. Can be used without turbo agitation if desired. Lid of tank fitted with fusible link hinge which automatically snaps lid shut in the event of a fire. Supplied with removable shelf and parts basket.

3. SPECIFICATION

MODEL NO:	SM20.V3		
Maximum Working Capacity:	50L	Overall Dimensions (W x D x H):	810 x 540 x 880mm
Minimum Working Capacity:	40L	Pump Output/hr:	200L
Motor Power:	25W	Supply:	230V
Nett Weight:	23.62kg	Tank Dimensions (W x D x H):	810 x 540 x 260mm

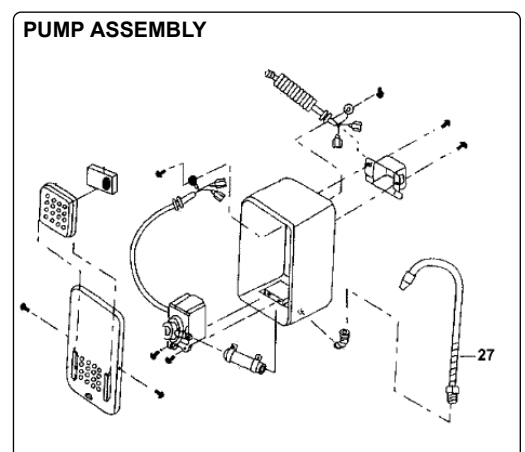
4. ASSEMBLY

- 4.1. Remove parts from packing and take items out of the tank. Before assembly check parts to ensure they are complete and not damaged.
- 4.2. Close lid (4) of tank (1), and turn unit upside down. Rest tank on a clean soft surface (i.e. cardboard) ensuring lid is secured in the closed position.
- 4.3. Attach the four legs (21) to the tank brackets with the pan head screws, spring washers and hex nuts (22, 23, 24) but **DO NOT** tighten.
- 4.4. Place the lower shelf (20) between the four legs (21) with flat surface facing downward and fix with washers, hex nuts and screws (22,23, 24).
- 4.5. With the legs pressed tightly against the lower shelf, tighten all the screws commencing with those attaching the shelf.
- 4.6. Hold the lid closed and stand the assembled unit upright. Open the lid but do not extend the lid too far.
- 4.7. Place the tank work shelf (42) on the two welded supports located inside the tank.
- 4.8. Remove the self tapping screws from the cover plate of the pump unit (A) and check to see if there is any supporting packing inside. If so, remove the supporting packing and replace the cover.
- 4.9. Place the pump into the tank unit and pass the switch unit through the slot in the cleaning tank side (A). As the unit protrudes through the slot secure it by placing the underside lip over the edge of the tank. Attach the flexible pipe (27) to pump (A).
- 4.10. To fit turbo valve assembly unscrew flexible tube (E), nut (D) and one nylon washer (C).
- 4.11. Insert threaded end of turbo valve (B) through hole in side of tank and retain with washer (C) and nut (D). Refit the flexible tube (E). Check that turbo valve (B) is closed.



5. OPERATION

- ❑ **WARNING!** Wear safety clothing, eye protection and gloves and ensure you read, understand and apply the safety instructions in Section 1.
- 5.1. Ensure the tank is located on a firm level surface in a well ventilated area and is switched off and unplugged from the mains power supply.
 - 5.2. Fill the tank with Sealey solvent - approx. 50 litres. Minimum level must cover pump inlet - approx. 40 litres. Follow the solvent instructions on the packaging.
 - 5.3. Plug the pump into the power supply and switch on. The cleaning agent will flow through the flexible tube.
 - 5.4. Place parts to be washed into the basket, or directly into the tank. Direct solvent flow onto parts. Heavily soiled items may be left to soak before cleaning.
 - 5.5. To improve cleaning and reduce pre-soak time turn on turbo valve to provide an agitating air flow into the cleaning fluid.
 - ✗ **DO NOT** leave the unit operating unattended. Check the fluid level does not fall below the pump inlet.
 - 5.6. When cleaning is complete remove all parts whilst ensuring the minimum of cleaning agent spillage.
 - 5.7. Switch off the pump, close the lid and disconnect from the mains power supply. Clean up any spillage.
 - 5.8. Dispose of waste liquids in accordance with local authority regulations.
- IMPORTANT:** The SM20 has an anti-fire device built into the unit. In the event of a fire the lid will automatically close. **DO NOT** prop the lid open as this will prevent the automatic safety feature from operating. Once actuated, the fire detection device cannot be re-used and must be replaced before further use.
- ✓ When cleaning parts ensure that nothing in the tank, including any parts basket, is in a position that would prevent the lid from closing fully if and when the fusible link activates.



6. MAINTENANCE

- 6.1. Clean the inside of the tank at regular intervals and keep the main body of the unit clean.
- 6.2. Regularly wash the pump filter in clean degreaser and replace if necessary.
- 6.3. Ensure that all screws and bolts are kept tight.



ENVIRONMENT PROTECTION

Recycle unwanted materials instead of disposing of them as waste. All tools, accessories and packaging should be sorted, taken to a recycling centre and disposed of in a manner which is compatible with the environment. When the product becomes completely unserviceable and requires disposal, drain any fluids (if applicable) into approved containers and dispose of the product and fluids according to local regulations.



REGISTER YOUR
PURCHASE HERE



WEEE REGULATIONS

Dispose of this product at the end of its working life in compliance with the EU Directive on Waste Electrical and Electronic Equipment (WEEE). When the product is no longer required, it must be disposed of in an environmentally protective way. Contact your local solid waste authority for recycling information.

Note: It is our policy to continually improve products and as such we reserve the right to alter data, specifications and component parts without prior notice. Please note that other versions of this product are available. If you require documentation for alternative versions, please email or call our technical team on technical@sealey.co.uk or 01284 757505.

Important: No Liability is accepted for incorrect use of this product.

Warranty: Guarantee is 12 months from purchase date, proof of which is required for any claim.

Sealey Group, Kempson Way, Suffolk Business Park, Bury St Edmunds, Suffolk. IP32 7AR



01284 757500



sales@sealey.co.uk



www.sealey.co.uk